



# FOUR TIER BOOK SHELF 55"



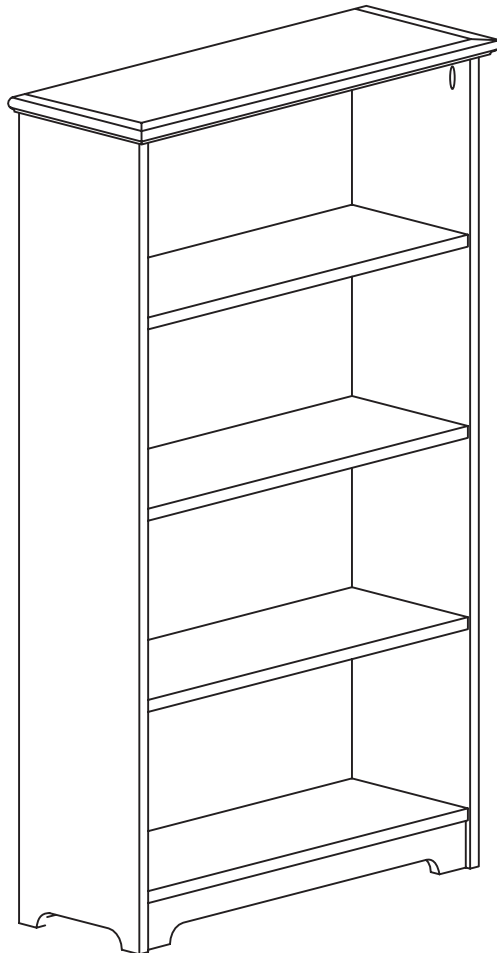
## ASSEMBLY INSTRUCTIONS

Thank you for choosing our new book shelf.

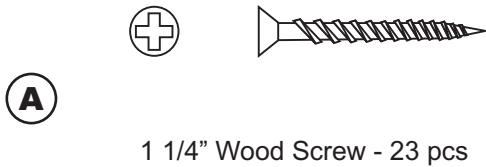
This practical design offers the utmost in versatility.

Before assembling your four tier book shelf, please read through these instructions carefully, familiarising yourself with the different parts.

Please note that you will require a Phillips Head Screw-driver.

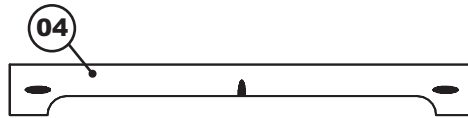
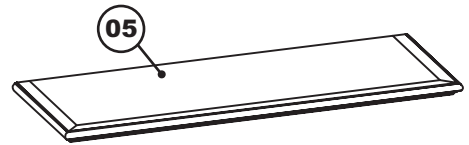
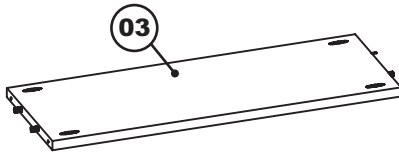
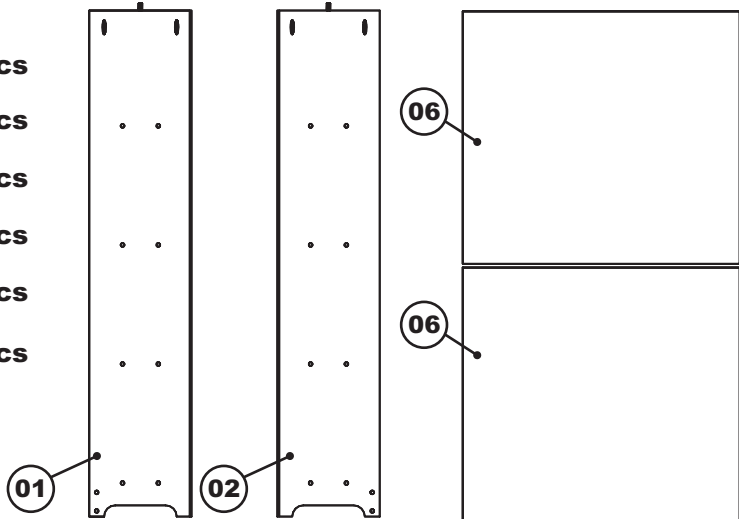


## HARDWARE

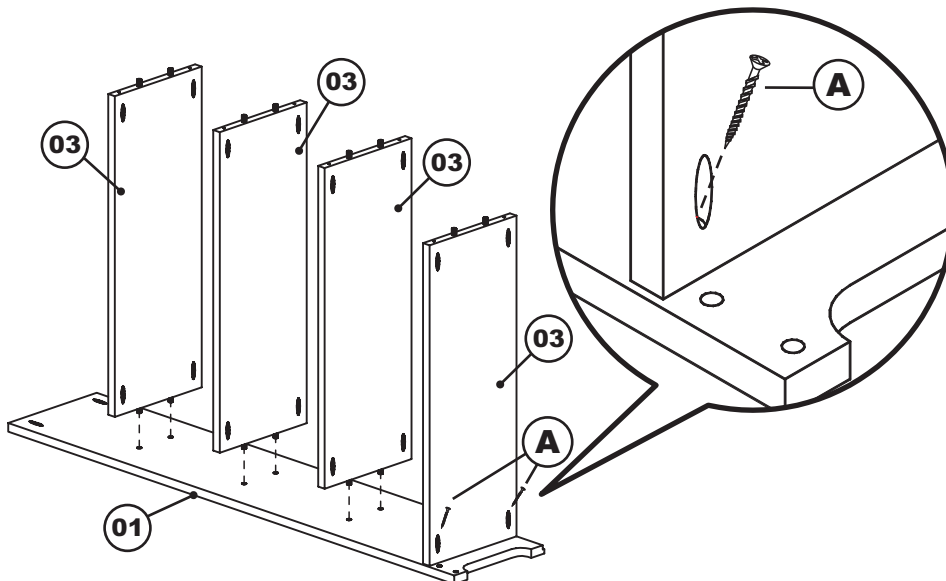


# PARTS LIST

- ① SIDE PANEL LEFT 1 pcs
- ② SIDE PANEL RIGHT 1 pcs
- ③ SHELF 4 pcs
- ④ BOTTOM RAIL 1 pcs
- ⑤ TOP PANEL 1 pcs
- ⑥ BACK PANEL 2 pcs

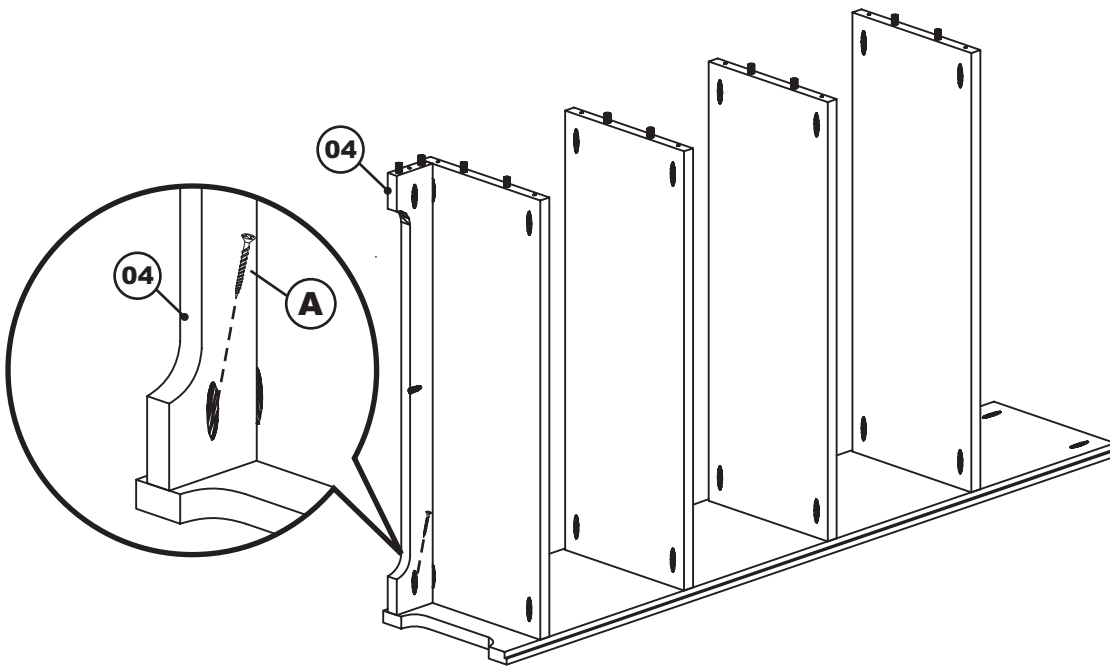


## Step 1



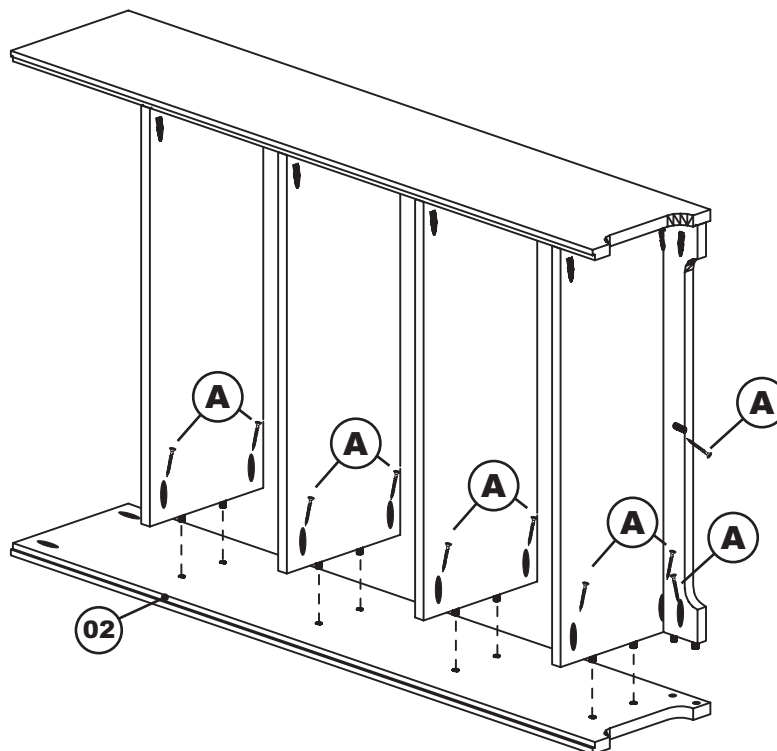
Attach Shelves (03) to Side Panel (01) using 1 1/4" wood screw ( A )  
Tighten with Phillips Head screwdriver.

## Step 2



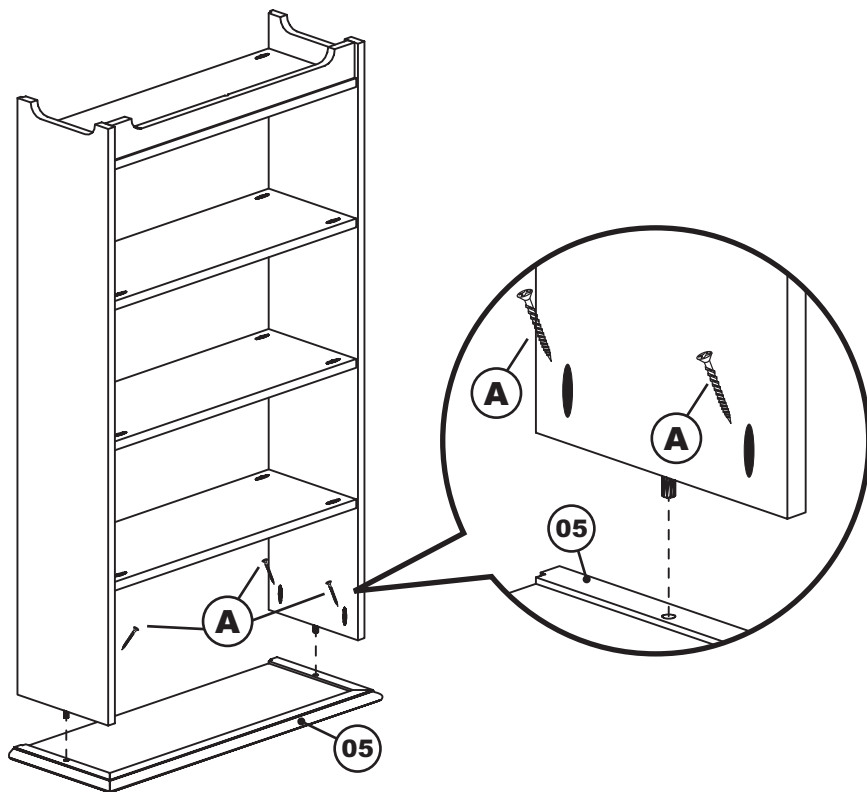
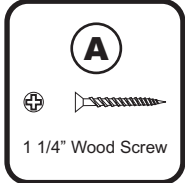
Attach Bottom Rail (04) to Side Panel (01) using 1 1/4" wood screw ( A )  
Tighten with Phillips Head screw driver.

## Step 3



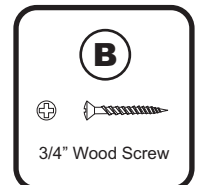
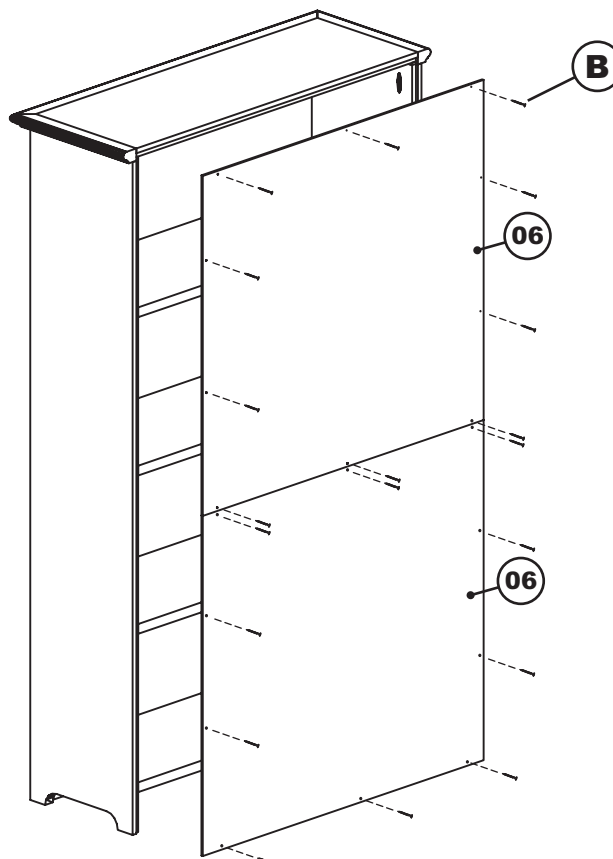
Attach Shelves (03) and Bottom Rail (04) to Side Panel (02) using 1 1/4" wood screw ( A )  
Tighten with Phillips Head screw driver.

## Step 4



Lay the Top Panel (05) on the floor, taking care to lay it on some cardboard to prevent scratching.  
Stand the book shelf assembly upside down and attach 1 1/4" wood screw (A)  
Tighten with Phillips Head screw driver.

## Step 5



Lastly attach the Back Panel (06) to the Book Shelf using 3/4" wood screw (B)  
Tighten with Phillips Head screw driver.